

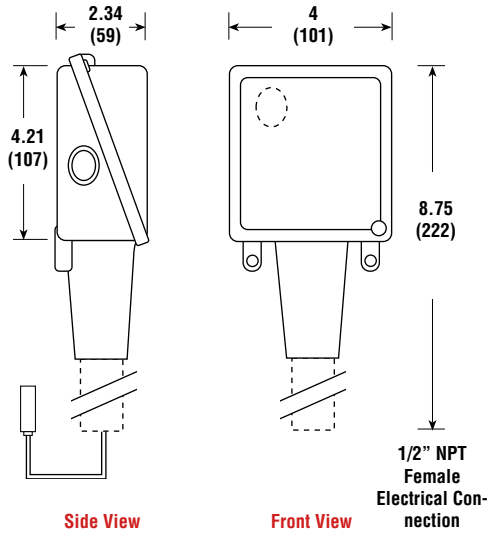
## B100 & E100

Heat Trace/Freeze

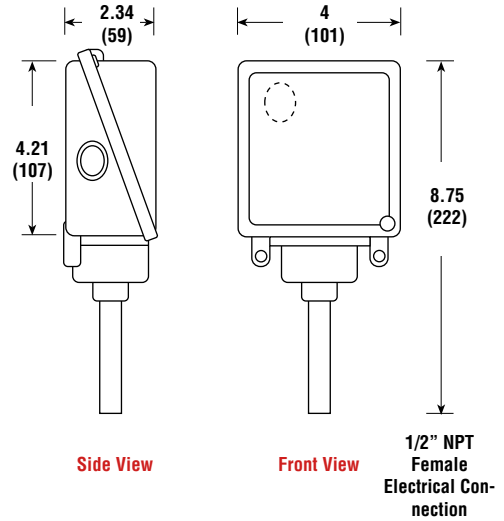
Protection Thermostats (*cont'd.*)

### Dimensions

**E100 Heat Trace, NEMA 4X**  
**Line and Pipe Sensing**

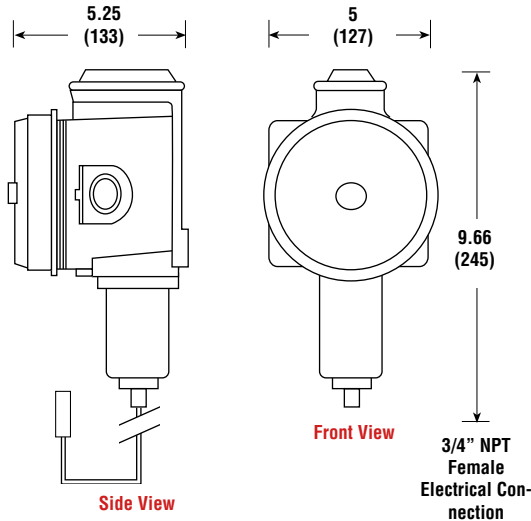


**B100 Freeze Protection, NEMA 4X**  
**Ambient Sensing**

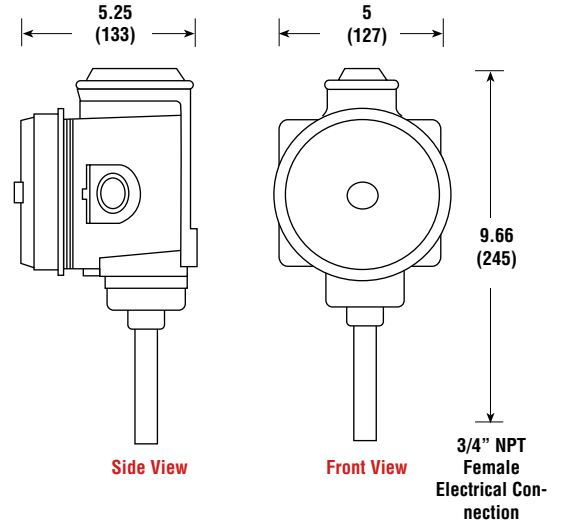


All Dimensions in Inches (mm)

**E121/122 Heat Trace, NEMA 7 and 9**  
**Line and Pipe Sensing**



**B121 Freeze Protection, NEMA 7 and 9**  
**Ambient Sensing**



ACCESSORIES  
AND CONTROLS

### Ordering Information

Thermostat Type	Model	Switch Output	Enclosure NEMA	Stock	PCN
Heat Trace, Remote Bulb and Capillary 25 - 325°F (-5 to +163°C)	E100	Single Output	4X	S	305322
	E121	Single Output	4X,7,9	S	384112
	E122	Dual Output, Dual Setpoint	4X,7,9	NS	305349
Freeze Protection Direct Mount 15 - 140°F (-10 to +60°C)	B100	Single Output	4X	S	305365
	B121	Single Output	4X,7,9	S	384104